

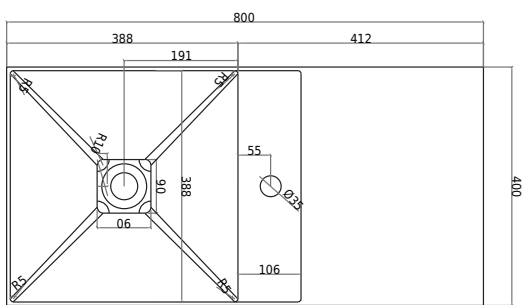


Copenhagen Bath

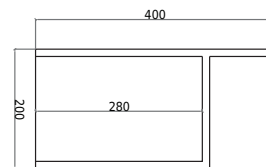
Bækkeskovvej
DK-2665 Vallensbæk Strand
CVR: DK32648622
Telefon: (+45) 3696 0747
contact@copenhagenbath.com
www.copenhagenbath.com

Oslo 80 left basin with shelf

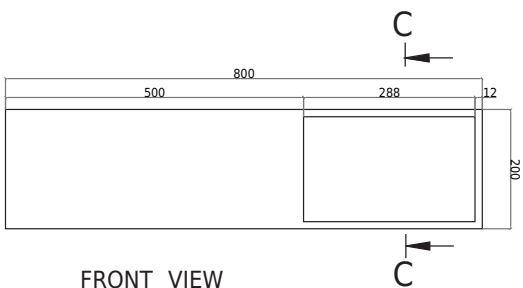
SKU: 40010346



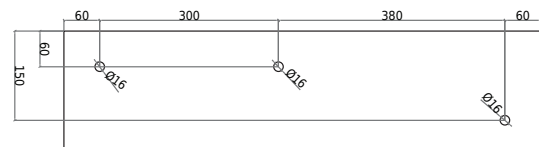
TOPVIEW



SECTION C-C



FRONT VIEW



REAR VIEW

Colour:

Size:

20cm / 80cm / 40cm

Weight:

21kg net

Oslo 80 left basin with shelf details: