

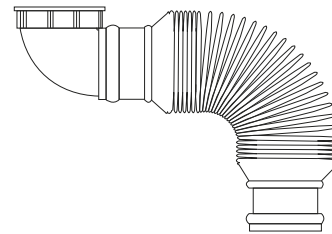
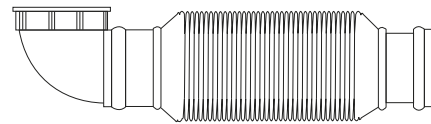
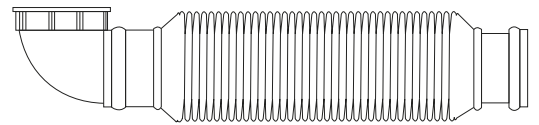
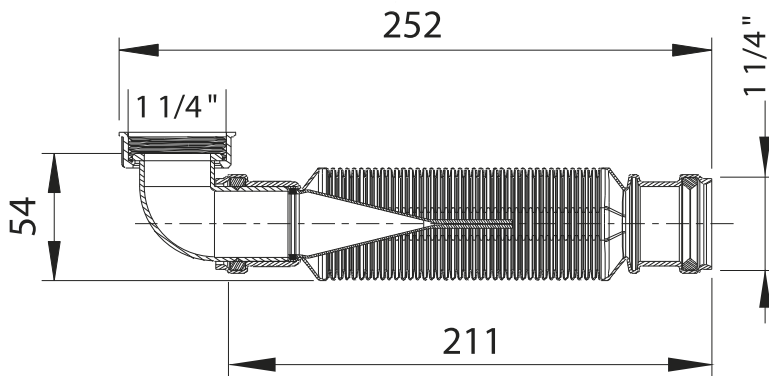


Copenhagen Bath

Bækkeskovvej
DK-2665 Vallensbæk Strand
CVR: DK32648622
Telefon: (+45) 3696 0747
contact@copenhagenbath.com
www.copenhagenbath.com

Trap with membrane

SKU: 40040094



Colour: White
Size: 6.4cm / 27.4cm / 3.2cm
Weight: 0.1kg net

Trap with membrane details: